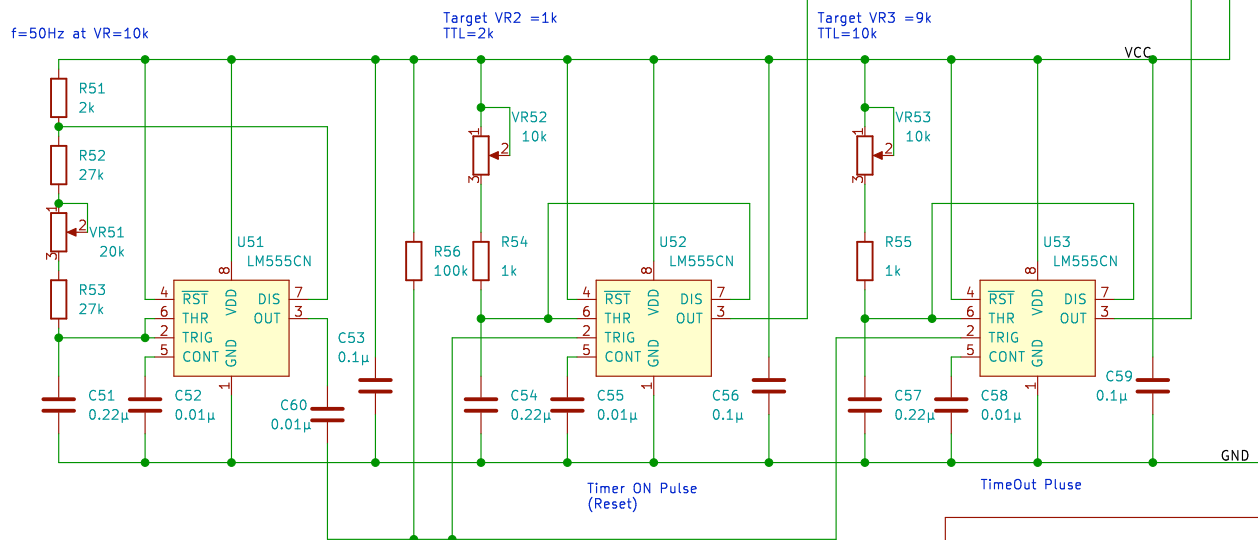


$t = (R3 + RV1) \cdot 1.1 \cdot C1$
 $60 < t < 600 \text{sec}$
 but, real mesurment is $t = 600 \text{sec}$ at $RV1 = 250k$

Signal Inversion
Output OFF at timer mode

COUTION: Before use the Timer, Initially push the Reset SW.

- 1. VCC(4.8V)
- 2. GND
- 3. YEROW(CONT)
- 4. RED(VCC)
- 5. BROWN(GND2)



C60 and R56 transmit only the pulse edge.
(555 requires trigger time < pulse generation time)

Pulse Generator
 0.5msec at $(VR+R) = 2k$.
 1.45msec at $(VR+R) = 6k$
 2.4msec at $(VR+R) = 10k$

Electronic flap control (E-DeSaMa)

Sheet: /		File: Shirai9.sch	
Title:			
Size: A4	Date:	Rev:	
KiCad E.D.A. kicad (5.1.5-0-10_14)		Id: 1/1	